



 in	 in	 in	lbs		gal	Max. load (lbs)
SJ-535-YE	18½	128	52¾	189		343	9920



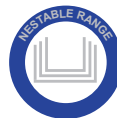
MADE FROM 100%
RECYCLABLE PE



UV
RESISTANT



CHEMICAL
RESISTANT



NESTABLE
RANGES



TESTED FOR WEIGHT AND
HYDROSTATIC LOADS



Jonesco (Preston) Ltd
 Pittman Way
 Fulwood
 Preston PR2 9ZD
 England

Tel: +44 (0) 1772 706888
 sales@jonesco-plastics.com



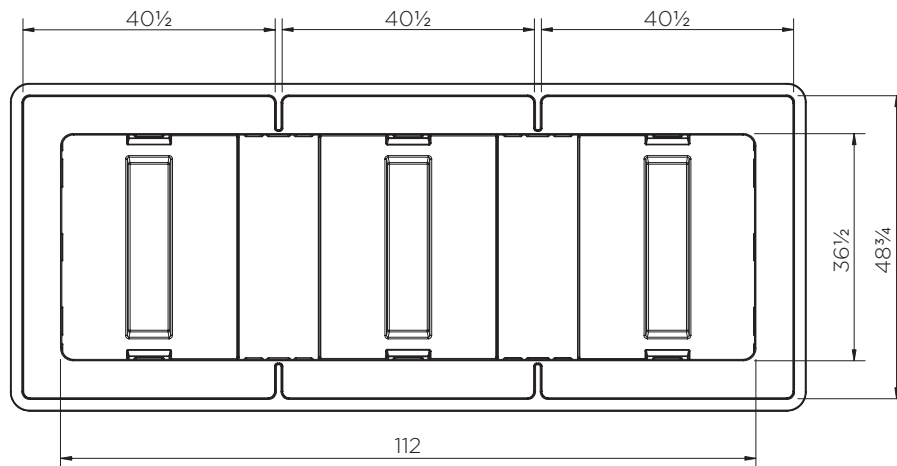
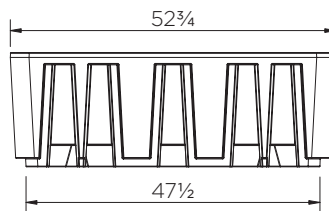
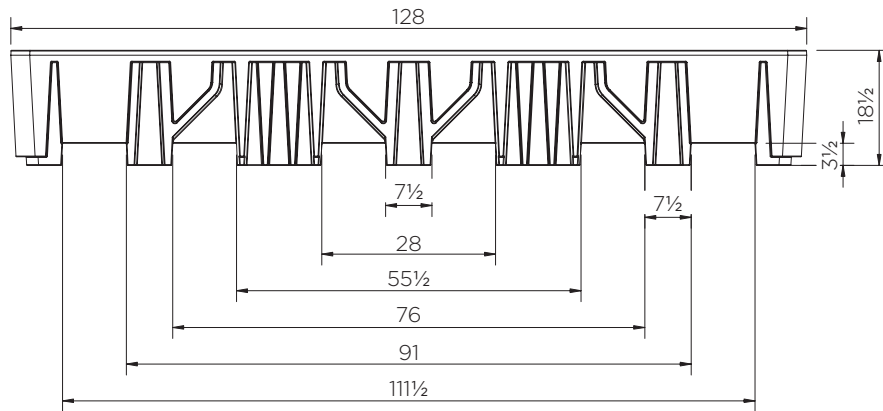
www.jonesco-plastics.com

Jonesco S.A.R.L
 SECLIN UNEXPO
 1524 Avenue de l'Épinette
 59113 Seclin
 France

Tel: +33 (0) 3 20 32 11 11
 jonesco@jonesco-fr.com

TD-SAL-0067/01

MCh 01/2021



The information is to our best knowledge true and accurate but all recommendations or suggestions are made without guarantee.