
SJ-UR22-YE	22 $\frac{3}{4}$ "	85 $\frac{1}{4}$ "	51"	75		290



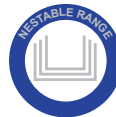
MADE FROM 100%  
RECYCLABLE PE



UV  
RESISTANT



CHEMICAL  
RESISTANT



NESTABLE  
RANGES



TESTED FOR WEIGHT AND  
HYDROSTATIC LOADS



**Jonesco (Preston) Ltd**  
Pittman Way  
Fulwood  
Preston PR2 9ZD  
England

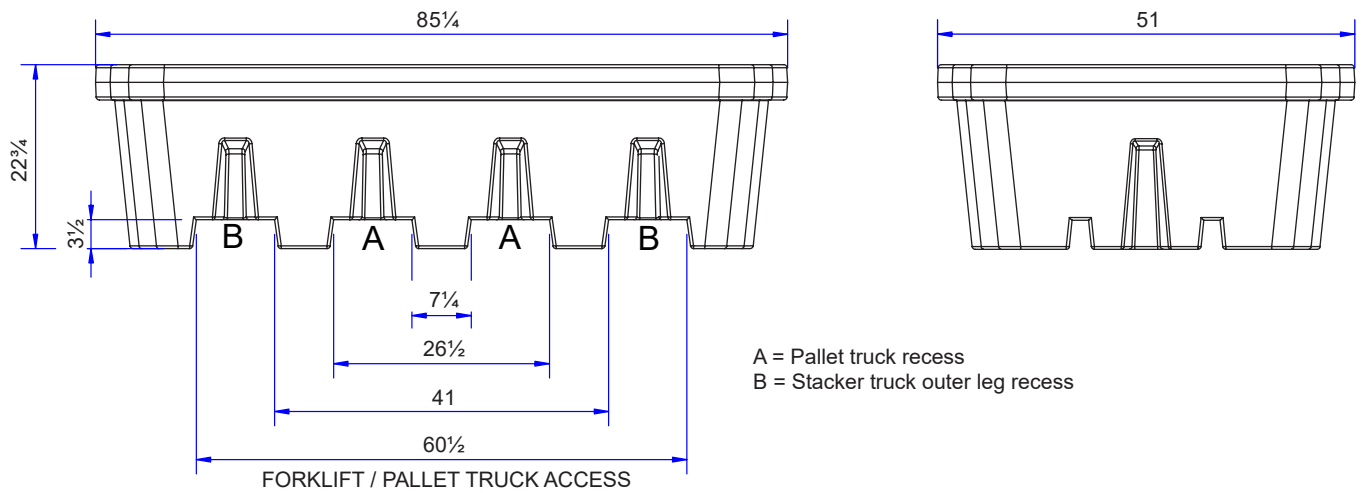
Tel: +44 (0) 1772 706888  
sales@jonesco-plastics.com



www.jonesco-plastics.com

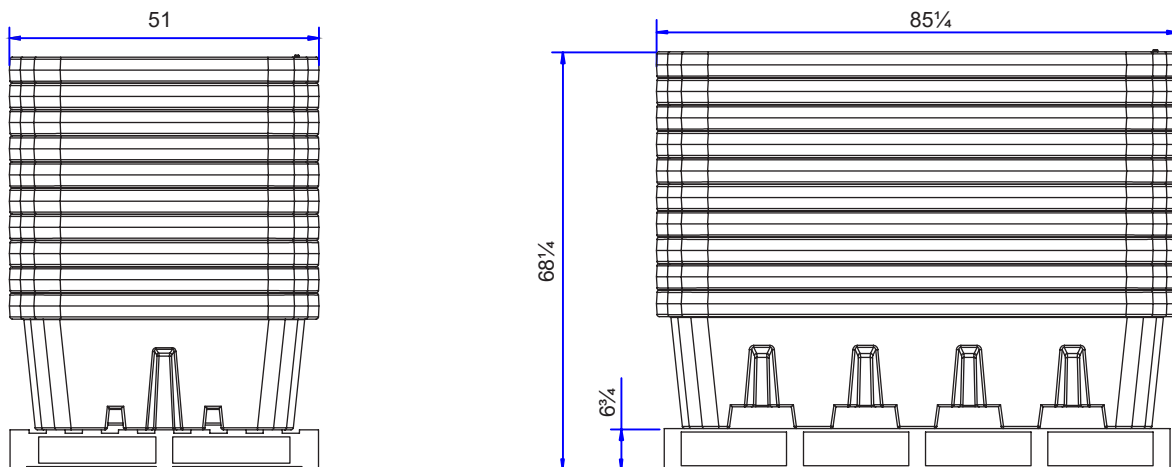
**Jonesco S.A.R.L**  
SECLIN UNEXPO  
1524 Avenue de l'Épinette  
59113 Seclin  
France

Tel: +33 (0) 3 20 32 11 11  
jonesco@jonesco-fr.com



## Palletisation

10 units per pallet



**Jonesco (Preston) Ltd**  
Pittman Way  
Fulwood  
Preston PR2 9ZD  
England

Tel: +44 (0) 1772 706888  
sales@jonesco-plastics.com



www.jonesco-plastics.com

**Jonesco S.A.R.L**  
SECLIN UNEXPO  
1524 Avenue de l'Épinette  
59113 Seclin  
France

Tel: +33 (0) 3 20 32 11 11  
jonesco@jonesco-fr.com